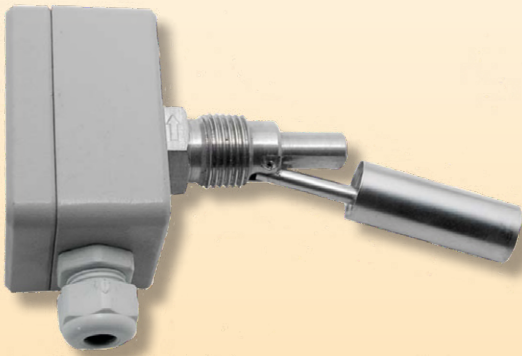


Side - Mounted Level Switch

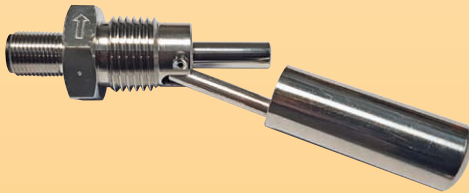
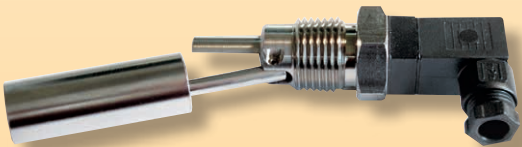


measuring
•
monitoring
•
analyzing

RFS



ATEX 



- For Horizontal Mounting
- N/O or N/C Contact Function
- Electrical Connection:
DIN Plug, M12 Plug or Aluminum Housing;
Aluminum Housing (ATEX)
- Construction:
304 Stainless Steel or 316L Stainless Steel



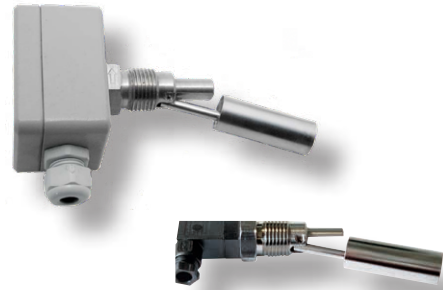
KOBOLD companies worldwide:

ARGENTINA, AUSTRALIA, AUSTRIA, BELGIUM, BULGARIA, CANADA, CHILE, CHINA, COLOMBIA, CZECH REPUBLIC, EGYPT, FRANCE, GERMANY, HUNGARY, INDIA, INDONESIA, ITALY, MALAYSIA, MEXICO, NETHERLANDS, PERU, POLAND, REPUBLIC OF KOREA, ROMANIA, SINGAPORE, SPAIN, SWITZERLAND, TAIWAN, THAILAND, TUNISIA, TURKEY, UNITED KINGDOM, USA, VIETNAM

KOBOLD Instruments, Inc.
1801 Parkway View Drive
Pittsburgh, PA 15205
☎ Main Office:
1.800.998.1020
1.412.788.4890
✉ info@koboldusa.com
www.koboldusa.com

Description

The KOBOLD RFS is designed for horizontal installation and economical monitoring of fill levels. A pivoting stainless steel float with an integral magnet moves with the liquid level and switches a reed contact. The media cannot contain any solids or metallic particles. The contact can work as normally open or normally closed, depending on the mounting position.



Specifications

Media Temperature: -14...248 °F (-10...120 °C)

Ambient Temperature: -4...176 °F (-20...80 °C)

Installation Position: Horizontal

Media Density: > 0.8 g/cm³

Operating Pressure: Max. 145 PSIG (10 bar)

Materials

Housing/Plug: Plastic Plug (DIN 43650), M12 Plug or Aluminum Housing; Aluminum Housing (ATEX)

Float: 316L Stainless Steel

Stem: 304 Stainless Steel or 316L Stainless Steel

Process Connection: 1/2" NPT or G1/2

Contacts: N/O or N/C, Depending on Mounting Position

Switching Voltage: Max. 300 VAC/350 VDC; Max. 150 VAC/200 VDC (Model with Pt100); Ui: 40 V (ATEX)

Switching Power: 50 W

Switching Current: Max. 0.5 A (AC) Max. 0.7 A (DC)

Protection: IP65

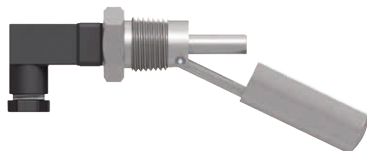
ATEX Marking: II 1 GD Exia IIC T6 Ga
 Ex ia IIC T85 °C Da
-20 °C ≤ Ta ≤ 60 °C

Order Details (Example: RFS-12 N4 0 0 01 EX)

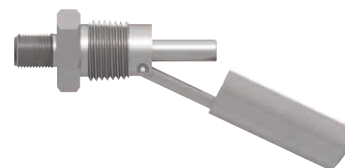
Model	Process Connection	Material	Temperature Sensor	Housing	ATEX
RFS-12..	..N4.. = 1/2" NPT ..G4 ¹⁾ .. = G 1/2	..0.. = 304 SS ..1 ¹⁾ .. = 316L SS	..0.. = Without	..00.. = DIN Plug	..00 = No ATEX
				..01.. = Aluminum	..00 = No ATEX ..EX = ATEX Exia
			..0.. = Without ..1.. = Pt100	..12.. = M12 Plug	..00 = No ATEX

¹⁾ Minimum order quantity: 25 pieces

RFS-12...0000



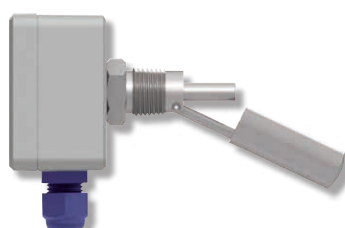
RFS-12...1200



RFS-12...0100

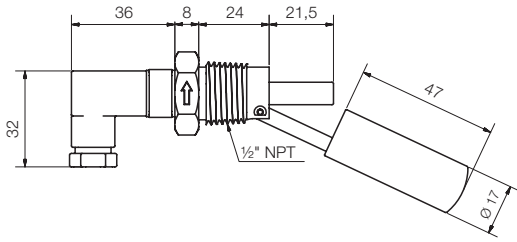


RFS-12...01EX

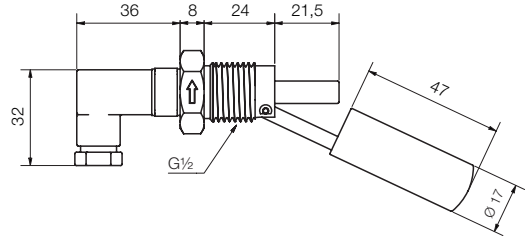


Dimensions (mm)

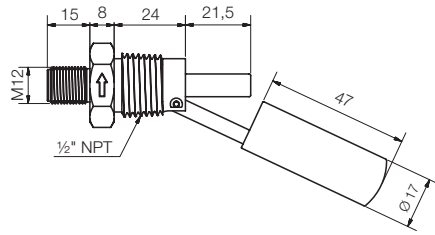
RFS-12N4_00000



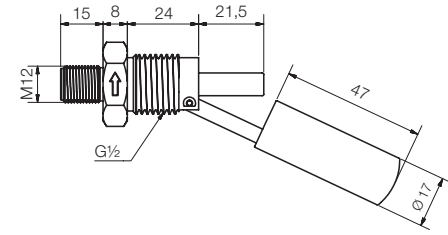
RFS-12G4_00000



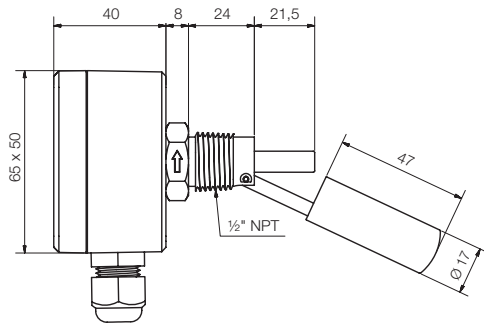
RFS-12N4_1200



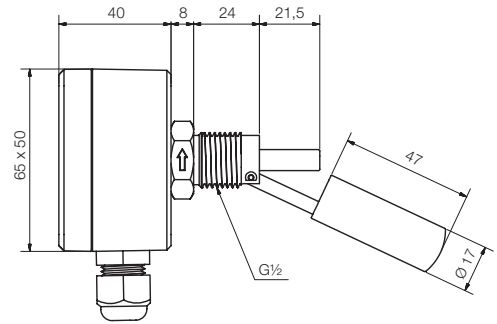
RFS-12G4_1200



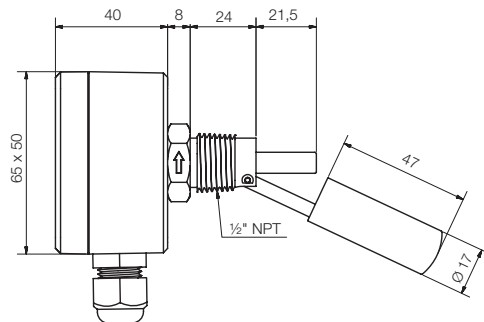
RFS-12N4_00100



RFS-12G4_00100



RFS-12N4_001EX



RFS-12G4_001EX

