



IF THE FOLLOWING INSTRUCTIONS ARE NOT FOLLOWED, THE REED SWITCHES IN THIS DEVICE WILL BURN OUT!

This device incorporates reed switches which are used for sensing purposes and can only switch very small loads (pilot duty service). They are not designed to directly switch solenoid valves, motors and other high current devices.

When testing reed switches for operation only use an Ohmmeter and not a light.

Common accepted practice is to use an interface relay rated to handle the required electrical load. In this way, the low current signal from the reed switch energizes the relay coil, which in turn switches the larger load current.

PLEASE READ CAREFULLY!!

How to avoid damaging the reed switch:

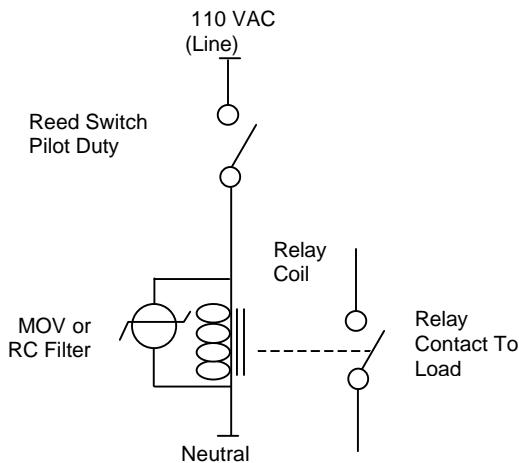
➡ **TO PROTECT THE REED SWITCH AGAINST INDUCTIVE KICKBACK, EVEN IF THE RELAY COIL CURRENT RATING IS WELL BELOW THE REED SWITCH RATING:**

➡ **When a reed switch is used to drive external relays, voltage spikes can be generated at coil activation.**

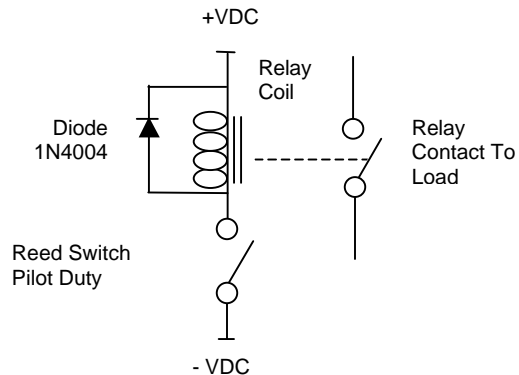
If the source is an AC operated device, install a varistor (MOV), or Resistor/Capacitor Filter across the relay coil.

If the source is a DC operated device, a general purpose diode (1N 4004) placed across the relay coil prevents electrical spikes. Connect the cathode (banded side) to the more positive side of the coil.

AC Circuit Example



DC Circuit Example



MOV Type: GE # V130 LA1
RC Filter Type: Paktron # 0.2uF/220 Ohm @400 V



NKPZ2.E172099
Motor Controllers, Float- and Pressure-operated - Component

[Page Bottom](#)

Motor Controllers, Float- and Pressure-operated - Component

[See General Information for Motor Controllers, Float- and Pressure-operated - Component](#)

KOBOLD INSTRUMENTS INC

E172099

1801 PARKWAY VIEW DR
PITTSBURGH, PA 15205-1422 USA

Level Switches: , NCP-OH41, -OH51, -OH21, -OH23, -OH11, -OV11, -OV12, -OV21, -OV31, -OV33, -OV34, -OV41, -OV51, -OV61, -OV71, -OV81, NCS-MH16.

Float Level Switches: , NCS-RF3002/NCS-RF3062, NCS-RF3001/NCS-RF3061, NCS-RF4001/NCS-RF4061, NCS-RF4002/NCS-RF4062, NCS-RF4501/NCS-RF4561, NCS-RF4502/NCS-RF4562, NCS-RF5001/NCS-RF5061, NCS-RF5002/NCS-RF5062, NCS-RF7502/NCS-RF7502.

Marking: Company name and model designation.

[Last Updated](#) on 2004-08-19

[Questions?](#)

[Print this page](#)

[Terms of Use](#)

[Page Top](#)

© 2016 UL LLC

The appearance of a company's name or product in this database does not in itself assure that products so identified have been manufactured under UL's Follow-Up Service. Only those products bearing the UL Mark should be considered to be Certified and covered under UL's Follow-Up Service. Always look for the Mark on the product.

UL permits the reproduction of the material contained in the Online Certification Directory subject to the following conditions: 1. The Guide Information, Assemblies, Constructions, Designs, Systems, and/or Certifications (files) must be presented in their entirety and in a non-misleading manner, without any manipulation of the data (or drawings). 2. The statement "Reprinted from the Online Certifications Directory with permission from UL" must appear adjacent to the extracted material. In addition, the reprinted material must include a copyright notice in the following format: "© 2016 UL LLC".