



Manifold Valves for Multiple Installation for lubricating oil circuits



measuring
•
monitoring
•
analysing

BVB



- Max. flow rate:
24 l/min per group
- Temperature: max. 100 °C
- Process connection for valve:
G 1/2 female
1/2" NPT female
- Material: aluminium anodized
- Seal: NBR



S2



KOBOLD companies worldwide:

AUSTRALIA, AUSTRIA, BELGIUM, BULGARIA, CANADA, CHINA, CZECHIA, FRANCE, GERMANY, GREAT BRITAIN, HUNGARY, INDIA, INDONESIA, ITALY, MALAYSIA, MEXICO, NETHERLANDS, PERU, POLAND, REPUBLIC OF KOREA, SPAIN, SWITZERLAND, THAILAND, TUNISIA, TURKEY, USA, VIETNAM

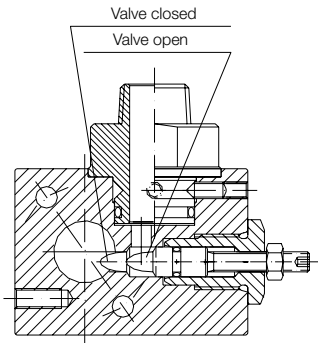
KOBOLD Messring GmbH
Nordring 22-24
D-65719 Hofheim/Ts.
Head Office:
+49(0)6192 299-0
+49(0)6192 23398
info.de@kobold.com
www.kobold.com



Description

For centralized flow measurement and switching, for example, with lubricating oil circuits we recommend the KOBOLD manifold valves for multiple installation. Up to eight flow meters can be assembled in a group providing that the maximum flow rate in any one group does not exceed 24 L/min.

Design



Applications

- Lubricating oil circuits

Order Details (Example: BVB-1101)

Order number G 1/2 connection	Order number 1/2" NPT connection	Version
BVB-1101	BVB-5101	1-fold manifold valve
BVB-1102	BVB-5102	2-fold manifold valve
BVB-1103	BVB-5103	3-fold manifold valve
BVB-1104	BVB-5104	4-fold manifold valve
BVB-1105	BVB-5105	5-fold manifold valve
BVB-1106	BVB-5106	6-fold manifold valve
BVB-1107	BVB-5107	7-fold manifold valve
BVB-1108	BVB-5108	8-fold manifold valve

Please order the necessary flow meters separately.
Example:

- Item 1 **BVB - 1102** 1 piece
- Item 2 **VKG - 2104 R0 R 15 B** 2 pieces

Technical Details

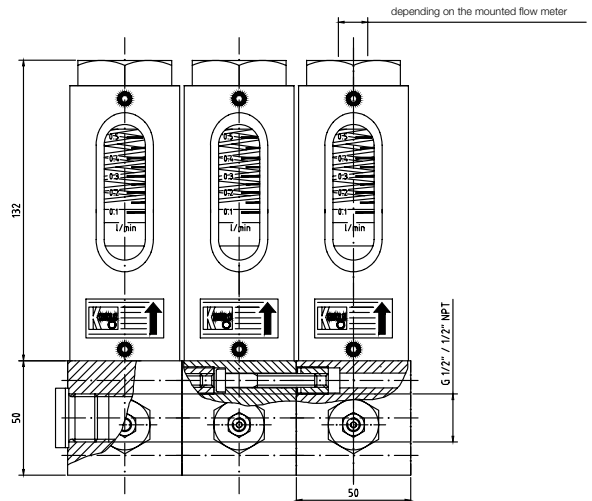
- Housing: aluminium, anodised
- Process connection: G 1/2 female (BVB)
1/2" NPT IG (BVB)
Please specify for model VKG/VKM
- Max. flow rate: 24 l/min per group
- Max. temperature: 100 °C
- Max. pressure: PN 64
(Please observe any limitations of the flow meter)
- K_v-value: 0.5 bar at 9.5 l/min water
1 bar at 14 l/min water
2 bar at 20 l/min water

Wetted parts

- Housing: aluminium, anodised
- Process connection: depending on the mounted flow meter
- O-ring: NBR
- Spindle guide: MS
- Spindle: 1.4305

Dimensions [mm]

3-fold block with flow meter VKG...



3-fold block with flow meter VKM...

