



## Vibrating Level Switches for bulk goods



measuring  
•  
monitoring  
•  
analysing

NVI



- Pressure: max. 25 bar (6 bar cable version)
- Temperature: max. 160 °C
- Connection: G 1½ or NPT
- Material: stainless steel
- Easy to install
- Suited for universal use
- For density > 0.05 kg/l
- Self-cleaning



NVI

KOBOLD companies worldwide:

AUSTRALIA, AUSTRIA, BELGIUM, BULGARIA, CANADA, CHINA, CZECHIA, EGYPT, FRANCE, GERMANY, GREAT BRITAIN, HUNGARY, INDIA, INDONESIA, ITALY, MALAYSIA, MEXICO, NETHERLANDS, PERU, POLAND, REPUBLIC OF KOREA, ROMANIA, SPAIN, SWITZERLAND, THAILAND, TUNISIA, TURKEY, USA, VIETNAM

KOBOLD Messring GmbH  
Nordring 22-24  
D-65719 Hofheim/Ts.  
Head Office:  
+49(0)6192 299-0  
+49(0)6192 23398  
info.de@kobold.com  
www.kobold.com

### Description

The KOBOLD NVI level switch is a mechanical system that is made to resonate by an electronic switching operation. When the probe is covered by a medium, the vibrations are damped. This change in the resonance frequency is converted to a switching signal by electronic means.

### Applications

The combined vibrating switch can be used in powdery media and granular materials. The medium to be measured should have a density of at least 0.05 kg/dm<sup>3</sup>. The single rod design prevents deposit formation. The rod is self-cleaning, as the vibrations shake off the medium.

The combined vibrating switch is in successful service in the following applications:

- Plastics industry: powders and granular material
- Chemical industry: powders, pellets and crystals
- Foodstuffs: grain, maize, flour, animal feed
- Paper making: cellulose, wood chips
- Recycling: plastic granules, paper shavings
- Power stations: flue dust, lime, coal
- Stones and earth: coal, stone powder
- Building and construction industry: cement, sand, lime

### Selection Criteria

The system is set at the factory for a medium density of 0.3 kg/dm<sup>3</sup>. When the medium has a low density, the sensitivity can be set to this density with a DIP switch. The level switch is inserted in the medium to be monitored for this purpose.

### Technical Details

Probe length: 207 mm (standard)  
 pipe extended version: up to 3 m  
 cable extended version, PE coated: up to 20 m

Process connection: G 1½ or 1½" NPT

Housing material: Aluminum, powder coated

Material for wetted parts: 1.4571 (AISI316Ti) for vibrating probe  
 PE cover for cable

Sensor surface: bright

Medium temperature: -30 °C... +110 °C standard probe  
 -30 °C... +80 °C (NVI-5)  
 -30 °C... +160 °C high temperature

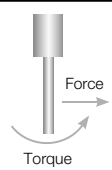
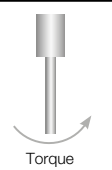
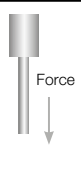
Ambient temperature: -30 °C... +60 °C

Maximum pressure: 25 bar (NVI-1/2/3/4)  
 6 bar (NVI-5)

Minimum density of medium: 0.05 kg/l

Max. grain size: 10 mm

Max. load:

Version	Standard	Pipe extended	Cable extended
High limit switch	Side mounted	Top mounted	Top mounted
Low limit switch	Side or bottom mounted		
Loadability			
Force	500 N	-	45 kN
Torque	100 Nm	100 Nm	-

Switching delay (selectable):

< 1.8 s or 5 ± 1.5 s  
 with covered rod  
 < 2 s or 5 ± 1.5 s  
 rod swings freely

Output: changeover contact 250 V<sub>AC</sub>/8A

Power supply: 20 ... 255 V<sub>AC/DC</sub>

Power consumption: ≤ 2.5 VA/2 W

Electrical connection: 2 x M20 x 1,5

Protection: IP 67

Weight: approx. 1.9 kg (NVI-1/2)  
 approx. 1.9 kg + 1.4 kg/m (NVI-3/4)  
 approx. 1.9 kg + 0.6 kg/m (NVI-5)

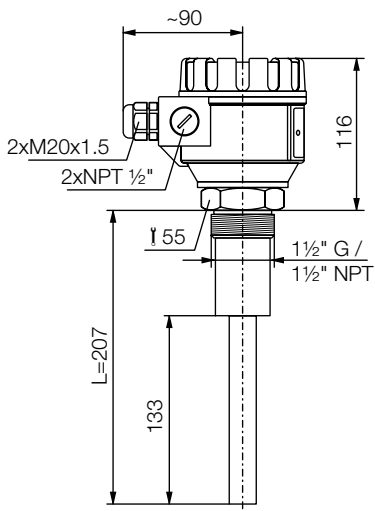
**Order Details** (Example: **NVI-1 305 R**)

Model	Version	Power supply	Connection
NVI-	1 = standard probe 2 = standard probe, high temperature	305 = 20...255 V <sub>AC/DC</sub>	R = G 1½ N = 1½" NPT
	3* = pipe extended 4* = pipe extended, high temperature		
	5* = cable extended		

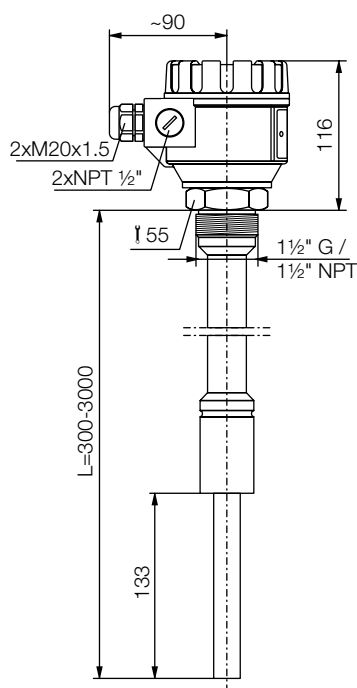
\* Mention desired length in clear text (in mm)

**Dimensions** [mm]

**Standard probe**



**Pipe extended probe**



**Cable extended probe**

