



Zertifiziertes
QM-System
DIN EN ISO 9001
Zertifikat-Nr. 01017

Variable Area Flowmeter

for monitoring of gas burners



measuring
•
monitoring
•
analysing

UTS



- Measuring range:
air: 0.01 - 0.1 ... 0.3 - 3.0 Nm³/h
- Accuracy class:
4 according to VDI/VDE
- p_{\max} : 3 bar; t_{\max} : 65 °C
- Connection:
with adapter: G 1/4, 1/4" NPT
without adapter: M18 x 1,5
- Material: nickel plated brass,
stainless steel 1.4301, 1.4404

51

KOBOLD companies worldwide:

AUSTRALIA, AUSTRIA, BELGIUM, BULGARIA, CANADA, CHINA, CZECHIA, FRANCE, GERMANY,
GREAT BRITAIN, HUNGARY, INDIA, INDONESIA, ITALY, MALAYSIA, MEXICO, NETHERLANDS,
PERU, POLAND, REPUBLIC OF KOREA, RUSSIA, SPAIN, SWITZERLAND, THAILAND, TUNISIA,
TURKEY, USA, VIETNAM

KOBOLD Messring GmbH
Nordring 22-24
D-65719 Hofheim/Ts.
Head Office:
+49(0)6192 299-0
+49(0)6192 23398
info.de@kobold.com
www.kobold.com



Variable Area Flowmeter for monitoring gas burners Model UTS



Description

The KOBOLD flowmeter model UTS works on the basis of the suspended float principle. It comes with a M18x1.5 connection. The inflow of the medium is via 4 mm hole within this connection, whereas the outflow happens via six holes which are concentrically positioned around the inlet hole. This special connection is specifically made for UTS and provided with a special seal.

This flowmeter can be optionally supplied with a special adapter G ¼ or ¼" NPT for horizontal installation. The use of this adapter is always recommended because of its special design. Especially in tight places, where conventional devices do not fit best because of their size, the UTS is an automatic choice. The device is suitable for monitoring gas burners (e. g. oxygen, hydrogen, methane, inert gases e.g. MIG welding) due to its low price and possibility of an easy measuring tube exchange. The armature is made of nickel plated brass or stainless steel with impact resistant polystyrene protection bulb.

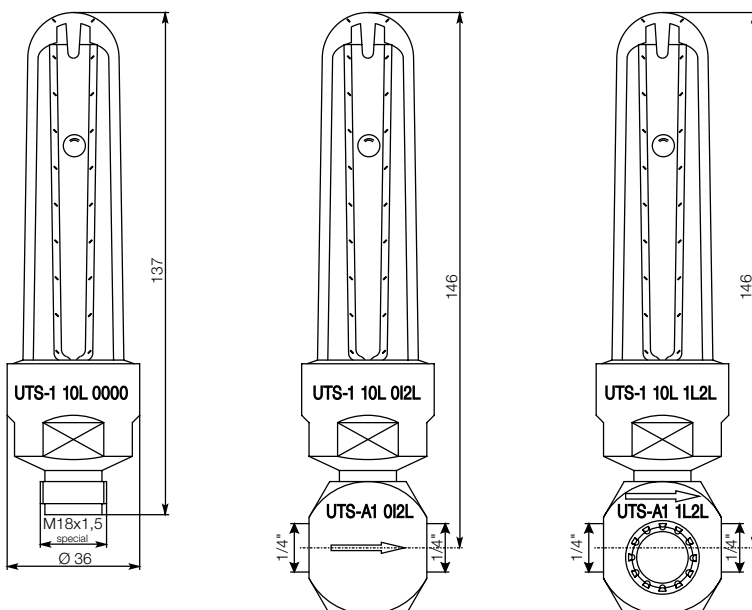
Technical Details

Installation position:	vertical, flow from bottom
Accuracy class:	4 according to VDI/VDE 3513
Max. pressure:	3 bar
Process temperature:	0... +65 °C
Ambient temperature:	0... +50 °C
Connections:	without adapter: M18x1.5 axial special connection with adapter: G ¼ or ¼" NPT (for horizontal pipes)
Protection:	IP 65

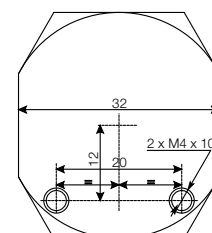
Material

Fitting:	nickel plated brass, stainless steel 1.4301, 1.4404
Measuring tube:	borosilicate glass
Bulb:	polystyrene
Float:	stainless steel 1.4301 or 1.4404
O-ring:	NBR, FPM
Material combination:	see separate table

Dimensions [mm]

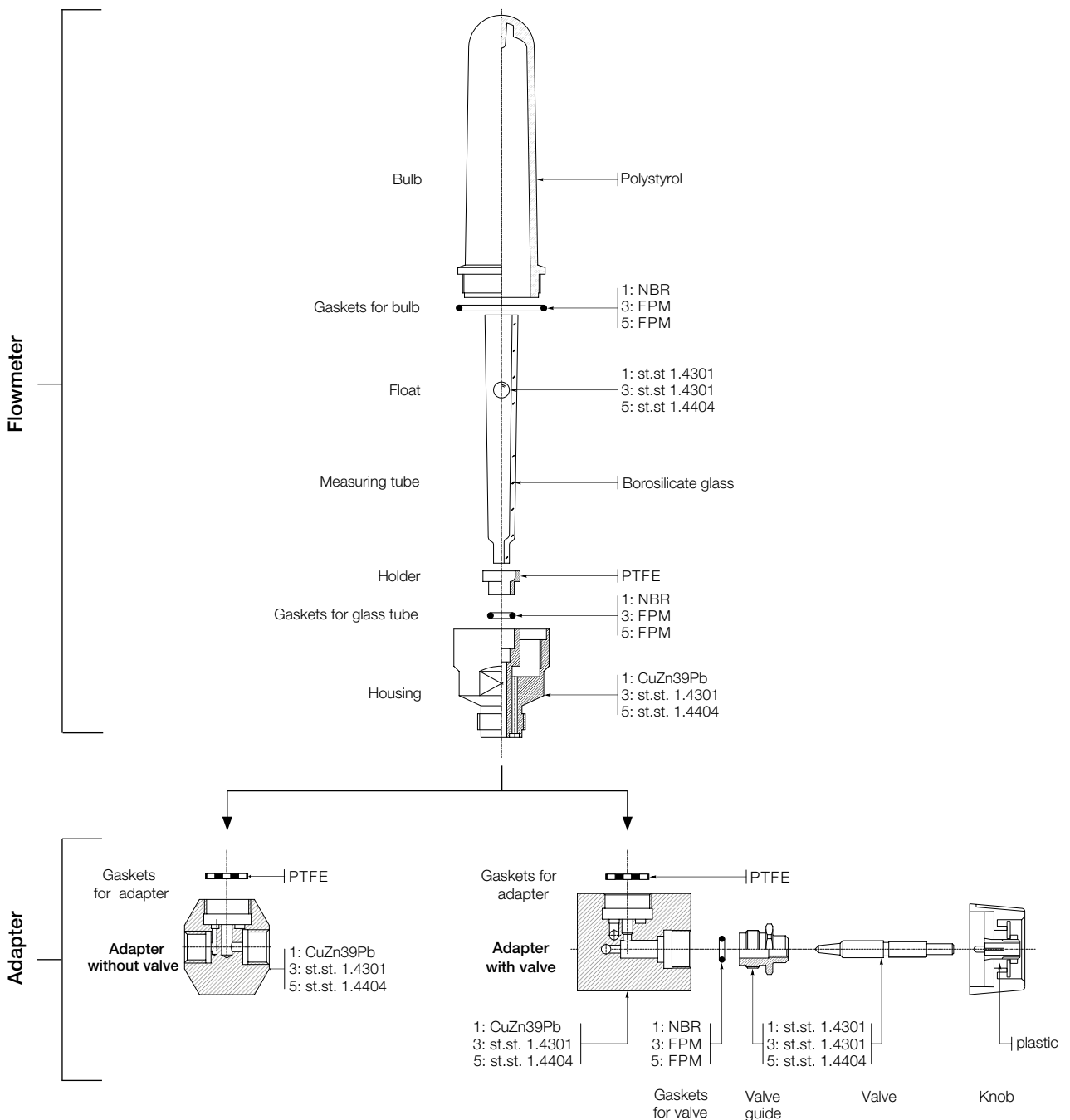


Mounting on back side



Material Combination

Model	Housing	Valve	Float	Gasket	Measuring tube	Bulb
UTS-1	nickel plated brass	1.4301	1.4301	NBR	borosilicate glass	polystyrene
UTS-3	stainless steel 1.4301			FPM		
UTS-5	stainless steel 1.4404	1.4404	1.4404			





Variable Area Flowmeter for monitoring gas burners Model UTS

Order Details Flowmeter (Example: UTS-1 10L 0I2L 0)

Model	Housing	Measuring ranges ²⁾ air [Nm ³ /h]	Connection ¹⁾ /flow direction	Option
UTS-..	1 = brass 3 = stainless steel 1.4301 5 = stainless steel 1.4404	10L = 0.01 ... 0.1 12L = 0.016 ... 0.16 14L = 0.025 ... 0.25 16L = 0.04 ... 0.40 18L = 0.063 ... 0.63 20L = 0.1 ... 1.0 22L = 0.16 ... 1.6 24L = 0.2 ... 2.0 26L = 0.3 ... 3.0 YYL ³⁾ = others	without adapter 0000 = M18x1.5, from bottom with adapter, without valve 0I2L = G ¼ adapter, from left 0I2R = G ¼ adapter, from right 0N2L = ¼" NPT adapter, from left 0N2R = ¼" NPT adapter, from right with adapter, with valve 1I2L = G ¼ adapter, from left 1I2R = G ¼ adapter, from right 1N2L = ¼" NPT adapter, from left 1N2R = ¼" NPT adapter, from right	0 = without Y = as specification

¹⁾ Adapter material same as housing material.

²⁾ At 1.013 bar abs and 20 °C

³⁾ Customer specification on request, please specify in clear text.

Order Details Adapter (Example: UTS-A1 0I2R)

Model/Housing	Connection ¹⁾ /flow direction
UTS-A1 / brass UTS-A3 / stainless steel 1.4301 UTS-A5 / stainless steel 1.4404	without valve 0I2L = G ¼ adapter, from left 0I2R = G ¼ adapter, from right 0N2L = ¼" NPT adapter, from left 0N2R = ¼" NPT adapter, from right with valve 1I2L = G ¼ adapter, from left 1I2R = G ¼ adapter, from right 1N2L = ¼" NPT adapter, from left 1N2R = ¼" NPT adapter, from right

¹⁾ Adapter material same as housing material.