

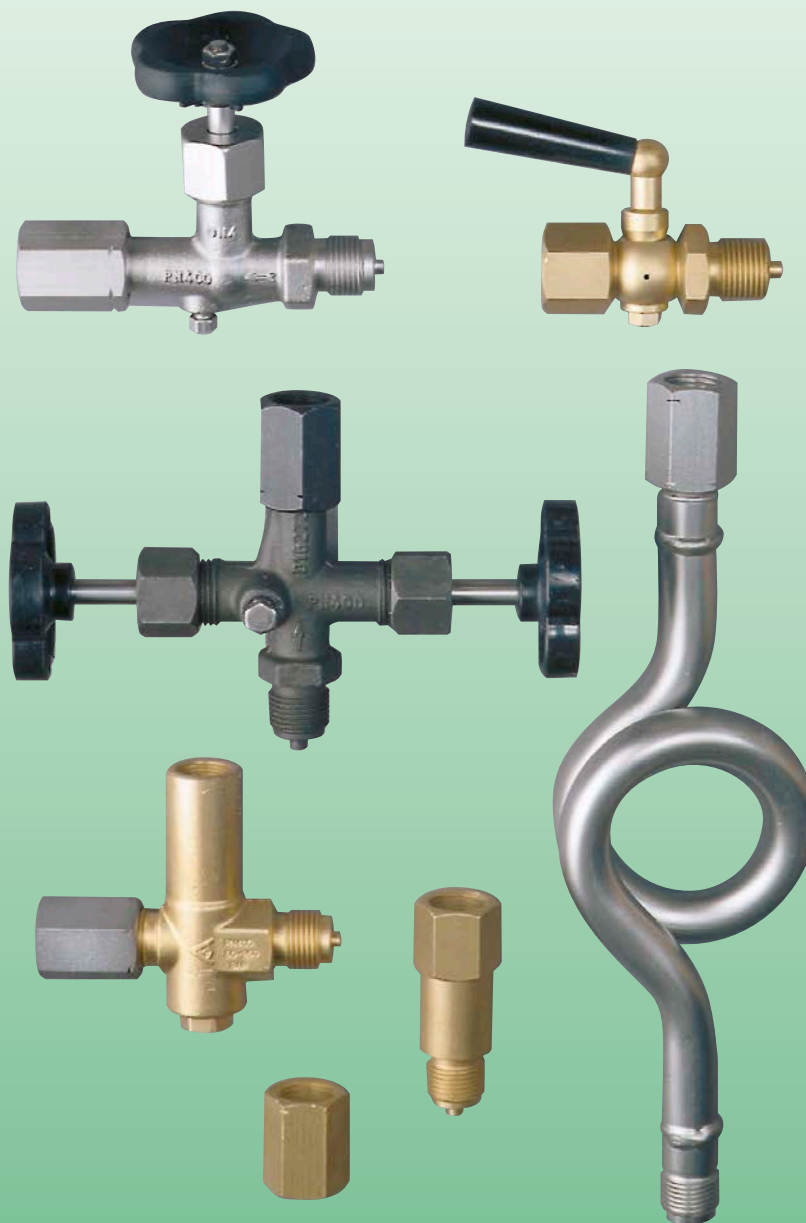


Accessories for Pressure Gauges



measuring
•
monitoring
•
analysing

MZB



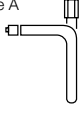



P1

KOBOLD companies worldwide:




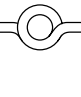
AUSTRALIA, AUSTRIA, BELGIUM, BULGARIA, CANADA, CHINA, CZECHIA, FRANCE, GERMANY, GREAT BRITAIN, HUNGARY, INDIA, INDONESIA, ITALY, MALAYSIA, MEXICO, NETHERLANDS, PERU, POLAND, REPUBLIC OF KOREA, SPAIN, SWITZERLAND, THAILAND, TUNISIA, TURKEY, USA, VIETNAM

KOBOLD Messring GmbH
Nordring 22-24
D-65719 Hofheim/Ts.
Head Office:
+49(0)6192 299-0
+49(0)6192 23398
info.de@kobold.com
www.kobold.com

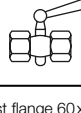
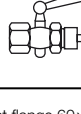

Syphons Model: MZB-705/...

| Type | Connection Inlet | Connection Outlet | Operating pressure | Material | Code |
|--|------------------|-------------------|--------------------|------------------|-------------|
| DIN 16282 Type A  | G 1/2 male | connector G 1/2 | 100 bar | steel | 7078 |
| | G 1/2 male | connector G 1/2 | 100 bar | st. steel 1.4571 | 7077 |
| DIN 16282 Type B  | Weld-on nipple | connector G 1/2 | 100 bar | steel | 7239 |
| | Weld-on nipple | connector G 1/2 | 100 bar | st. steel 1.4571 | 7240 |
| DIN 16282 Type C  | G 1/2 male | connector G 1/2 | 100 bar | steel | 7076 |
| | G 1/2 male | connector G 1/2 | 100 bar | st. steel 1.4571 | 7075 |
| DIN 16282 Type D  | Weld-on nipple | connector G 1/2 | 100 bar | steel | 7241 |
| | Weld-on nipple | connector G 1/2 | 100 bar | st. steel 1.4571 | 7242 |

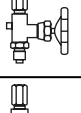
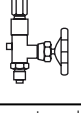
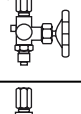
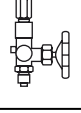
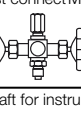
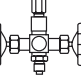
Syphons pertaining to commercial customs Model: MZB-705/...

| Type | Connection 1 | Connection 2 | Operating pressure | Material | Code |
|--|----------------|-----------------|--------------------|------------------|-------------|
| U-Type  | G 1/2 male | G 1/2 male | 25 bar | steel | 7243 |
| | G 1/2 male | G 1/2 male | 25 bar | st. steel 1.4571 | 7244 |
| | G 1/2 male | connector G 1/2 | 25 bar | steel | 7031 |
| | G 1/2 male | connector G 1/2 | 25 bar | st. steel 1.4571 | 7249 |
| Pig-tail type  | G 1/2 male | G 1/2 male | 25 bar | steel | 7245 |
| | G 1/2 male | G 1/2 male | 25 bar | st. steel 1.4571 | 7246 |
| U-Type  | Weld-on nipple | Weld-on nipple | 25 bar | steel | 7033 |
| | Weld-on nipple | Weld-on nipple | 25 bar | st. steel 1.4571 | 7247 |
| Pig-tail type  | Weld-on nipple | Weld-on nipple | 25 bar | steel | 7032 |
| | Weld-on nipple | Weld-on nipple | 25 bar | st. steel 1.4571 | 7248 |

Shut-off cocks Model: MZB-703/...



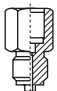
| Type | Connection | Nom. pressure | Material | Code |
|---|-------------------|---------------|-----------|-------------|
| Female-female DIN 16261A  | G 1/2 female | 16 bar | brass | 7012 |
| | G 1/2 female | 25 bar | brass | 7013 |
| | G 1/2 female | 16 bar | brass | 7014 |
| with test flange 60x25x10 | G 1/2 female | 25 bar | brass | 7015 |
| with test flange and gland | G 1/2 female | 25 bar | brass | 7016 |
| Female-female DIN 16261B  | G 1/2 female/male | 16 bar | brass | 7017 |
| | G 1/2 female/male | 25 bar | brass | 7018 |
| | G 1/2 female/male | 25 bar | st. steel | 7147 |
| with test flange 60x25x10 | G 1/2 female/male | 25 bar | brass | 7019 |
| with test flange and gland | G 1/2 female/male | 25 bar | brass | 7020 |
| Male-female DIN 16262  | G 1/2 female/male | 25 bar | brass | 7021 |
| | G 1/2 female/male | 25 bar | steel | 7179 |
| | G 1/2 female/male | 25 bar | st. steel | 7059 |
| with flange 60x25x10 DIN 16263 | G 1/2 female/male | 25 bar | brass | 7060 |

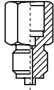
Valves to DIN 16270-16272 Model: MZB-704/...

| Type | Connection | Nom. pressure | Material | Code |
|---|-----------------|---------------|------------------|-------------|
| Swiveling nut - male DIN 16270 with venting Type A  | G 1/2 fem./male | 250 bar | brass | 7022 |
| | G 1/2 fem./male | 400 bar | steel | 7023 |
| | G 1/2 fem./male | 400 bar | st. steel 1.4571 | 7024 |
| | G 1/2 fem./male | 400 bar | st. steel 1.4571 | 7025 |
| Type B  | G 1/2 fem./male | 250 bar | brass | 7100 |
| | G 1/2 fem./male | 400 bar | steel | 7101 |
| | G 1/2 fem./male | 400 bar | st. steel 1.4571 | 7102 |
| Swiveling nut - male DIN 16271 with test connection M20x1,5 and vent Type A  | G 1/2 fem./male | 250 bar | brass | 7103 |
| | G 1/2 fem./male | 400 bar | steel | 7104 |
| | G 1/2 fem./male | 400 bar | st. steel 1.4571 | 7105 |
| Type B  | G 1/2 fem./male | 250 bar | brass | 7106 |
| | G 1/2 fem./male | 400 bar | steel | 7107 |
| | G 1/2 fem./male | 400 bar | st. steel 1.4571 | 7108 |
| Shut-off valve with separate shut-off test connection DIN 16272 and test connect M20x1.5 Type A  | G 1/2 fem./male | 250 bar | brass | 7152 |
| | G 1/2 fem./male | 400 bar | steel | 7153 |
| | G 1/2 fem./male | 400 bar | st. steel 1.4571 | 7154 |
| with shaft for instrument holder Type B  | G 1/2 fem./male | 250 bar | brass | 7155 |
| | G 1/2 fem./male | 400 bar | steel | 7156 |
| | G 1/2 fem./male | 400 bar | st. steel 1.4571 | 7157 |



Adaptors Model: MZB-712/...

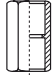
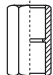
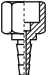


| Type | Connection | Material | Code | |
|---|---------------------|---------------|-------------|-------------|
| Union nut DIN 16284  | G 1/4 female | brass | 7528 | |
| | G 1/2 female | brass | 7028 | |
| | G 3/4 female | steel | 7029 | |
| | G 1/2 female | st. steel | 7073 | |
| Soldering connection DIN 16284  | for union nut G 1/4 | brass | 7530 | |
| | for union nut G 1/2 | brass | 7030 | |
| | | steel | 7031 | |
| | | st. steel | 7074 | |
| Type | Connection 1 | Connection 2 | Material | Code |
| Adaptor female-male  | G 1/8 female | G 1/4 male | brass | 7267 |
| | G 1/8 female | G 1/2 male | brass | 7049 |
| | G 1/8 female | G 3/4 male | st. steel | 7134 |
| | G 1/8 female | G 1/2 male | st. steel | 7135 |
| | 1/8" NPT female | 1/4" NPT male | st. steel | 7112 |
| | 1/8" NPT female | 3/8" NPT male | st. steel | 7114 |
| | G 1/4 female | 1/4" NPT male | brass | 7033 |
| | G 1/4 female | 1/2" NPT male | brass | 7039 |
| | G 1/4 female | 3/4" NPT male | brass | 7075 |
| | G 1/4 female | M10x1 male | brass | 7052 |
| | G 1/4 female | M12x1.5 male | brass | 7269 |
| | G 1/4 female | M14x1.5 male | brass | 7105 |
| | G 1/4 female | M16x1.5 male | brass | 7053 |
| | G 1/4 female | M20x1.5 male | brass | 7054 |
| | G 1/4 female | G 1/8 male | brass | 7268 |
| | G 1/4 female | G 1/4 male | brass | 7055 |
| | G 1/4 female | G 3/8 male | brass | 7270 |
| | G 1/4 female | G 1/2 male | brass | 7109 |
| | G 1/4 female | G 3/4 male | brass | 7076 |
| | G 1/4 female | 1/4" NPT male | st. steel | 7034 |
| | G 1/4 female | 1/2" NPT male | st. steel | 7046 |
| | G 1/4 female | 3/4" NPT male | st. steel | 7077 |
| | G 1/4 female | M10x1 male | st. steel | 7057 |
| | G 1/4 female | M12x1.5 male | st. steel | 7058 |
| | G 1/4 female | M14x1.5 male | st. steel | 7075 |
| | G 1/4 female | M16x1.5 male | st. steel | 7059 |
| | G 1/4 female | M20x1.5 male | st. steel | 7060 |
| | G 1/4 female | G 1/8 male | st. steel | 7061 |
| | G 1/4 female | G 1/4 male | st. steel | 7032 |
| | G 1/4 female | G 3/8 male | st. steel | 7204 |
| | G 1/4 female | G 1/2 male | st. steel | 7044 |
| | G 1/4 female | G 3/4 male | st. steel | 7062 |
| | 1/4" NPT female | G 1/2 male | st. steel | 7051 |
| | 1/4" NPT female | 3/8" NPT male | st. steel | 7115 |
| 1/4" NPT female | 1/2" NPT male | st. steel | 7113 | |
| G 3/8 female | G 1/4 male | brass | 7271 | |
| G 3/8 female | G 1/2 male | brass | 7272 | |

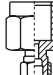
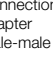
| Type | Connection 1 | Connection 2 | Material | Code |
|---|---------------|---------------|-------------|-------------|
| A1: female A2: male  | G 1/2 female | 1/4" NPT male | brass | 7063 |
| | G 1/2 female | 1/2" NPT male | brass | 7035 |
| | G 1/2 female | 3/4" NPT male | brass | 7078 |
| | G 1/2 female | M10x1 male | brass | 7098 |
| | G 1/2 female | M12x1.5 male | brass | 7274 |
| | G 1/2 female | M16x1.5 male | brass | 7048 |
| | G 1/2 female | M20x1.5 male | brass | 7043 |
| | G 1/2 female | G 1/8 male | brass | 7064 |
| | G 1/2 female | G 1/4 male | brass | 7110 |
| | G 1/2 female | G 3/8 male | brass | 7111 |
| | G 1/2 female | G 1/2 male | brass | 7277 |
| | G 1/2 female | G 3/4 male | brass | 7273 |
| | G 1/2 female | G 1 male | brass | 7104 |
| | G 1/2 female | 1/4" NPT male | st. steel | 7037 |
| | G 1/2 female | 3/8" NPT male | st. steel | 7041 |
| | G 1/2 female | 1/2" NPT male | st. steel | 7036 |
| | G 1/2 female | 3/4" NPT male | st. steel | 7079 |
| | G 1/2 female | 7/16 UNF male | st. steel | 7042 |
| | G 1/2 female | M10x1 male | st. steel | 7097 |
| | G 1/2 female | M12x1.5 male | st. steel | 7065 |
| | G 1/2 female | M14x1.5 male | st. steel | 7317 |
| | G 1/2 female | M16x1.5 male | st. steel | 7066 |
| | G 1/2 female | M20x1.5 male | st. steel | 7050 |
| | G 1/2 female | G 1/8 male | st. steel | 7067 |
| | G 1/2 female | G 1/4 male | st. steel | 7140 |
| | G 1/2 female | G 3/8 male | st. steel | 7205 |
| | G 1/2 female | G 1/2 male | st. steel | 7045 |
| G 1/2 female | G 3/4 male | st. steel | 7047 | |
| G 1/2 female | G 1 male | st. steel | 7040 | |
| 1/2" NPT female | 3/4" NPT male | st. steel | 7116 | |
| 1/2" NPT female | 1" NPT male | st. steel | 7117 | |
| G 1/2 female | G 3/4 male | steel | 7316 | |
| G 3/4 female | G 1/4 male | brass | 7311 | |
| G 3/4 female | G 1/2 male | brass | 7276 | |
| G 1 female | G 1/2 male | st. steel | 7038 | |
| G 1 1/4 female | G 1/2 male | st. steel | 7072 | |
| M20x1,5 female | G 1/2 male | brass | 7275 | |
| M20x1,5 female | G 1/2 male | st. steel | 7307 | |
| Self-sealing connecting nipple | G 1/4 female | G 3/8 male | brass | 7125 |

Adaptors for diaphragm seals DRM-600

| | | | | |
|-------------------------|----------------|------------|-----------|-------------|
| DRM- female- male | G 3/4 female | G 1/2 male | st. steel | 7118 |
| | G 1 female | G 1/2 male | st. steel | 7119 |
| | G 1 1/4 female | G 1/2 male | st. steel | 7120 |

Adaptor Model: MZB-712/...

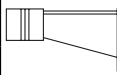
| Type | Connection 1 | Connection 2 | Material | Code |
|--|----------------|----------------------|-----------|------|
| Female-female 2 x G right thread  | G ¼ female | G ¼ female | brass | 7131 |
| | G ¼ female | G ¼ female | steel | 7132 |
| | G ¼ female | G ¼ female | st. steel | 7133 |
| | G ½ female | G ½ female | brass | 7094 |
| | G ½ female | M20x1.5 female | brass | 7126 |
| | G ½ female | G ½ female | steel | 7095 |
| | G ½ female | M20x1.5 female | steel | 7093 |
| | G ½ female | G ½ female | st. steel | 7096 |
| Span female DIN 16283 right / left thread  | G ½ female | G ½ female LH | brass | 7278 |
| | G ½ female | G ½ female LH | steel | 7279 |
| | G ½ female | G ½ female LH | st. steel | 7280 |
| | G ½ female | M20x1.5 female LH | brass | 7313 |
| | M20x1.5 female | G ½ female LH | st. steel | 7314 |
| Type | Connection 1 | Pipe | Material | Code |
| Hose coupling with union nut  | G ¼ female | 6 mm | brass | 7087 |
| | G ½ female | 6 mm | brass | 7088 |
| | G ¼ female | 6 mm | st. steel | 7089 |
| | G ½ female | 6 mm | st. steel | 7090 |
| Hose coupling with male thread  | G ¼ male | 6 mm | brass | 7178 |
| | G ½ male | 6 mm | brass | 7069 |
| Pneumatic hose connection | G ¼ female | pipe 6x4 | st. steel | 7101 |
| | G ¼ female | pipe 8x6 | st. steel | 7102 |
| | G ¼ female | pipe 10x8 | brass | 7103 |
| | G ½ female | pipe 6x4 | brass | 7106 |
| | G ½ female | pipe 8x6 | brass | 7107 |
| | G ½ female | pipe 10x8 | brass | 7108 |
| Type | Connection 1 | Nom. pressure Tube Ø | Material | Code |
| Connection with compression ring  | G ¼ female | 600 bar/6 mm | st. steel | 7080 |
| | G ¼ female | 600 bar/8 mm | st. steel | 7091 |
| | G ¼ female | 600 bar/10 mm | st. steel | 7092 |
| | G ¼ female | 600 bar/12 mm | st. steel | 7099 |
| | G ½ female | 600 bar/4 mm | steel | 7100 |
| | G ½ female | 600 bar/6 mm | steel | 7081 |
| | G ½ female | 600 bar/6 mm | st. steel | 7082 |
| | G ½ female | 600 bar/8 mm | steel | 7083 |

| Type | Connection | Nom. pressure Tube Ø | Material | Code |
|---|--------------|----------------------|--------------|----------|
| Connection with compression ring  | G ½ female | 600 bar/8 mm | st. steel | 7084 |
| | G ½ female | 600 bar/10 mm | steel | 7085 |
| | G ½ female | 600 bar/10 mm | st. steel | 7086 |
| | G ½ female | 600 bar/12 mm | steel | 7266 |
| | G ½ female | 600 bar/12 mm | st. steel | 7281 |
| | G ¼ male | 600 bar/6 mm | st. steel | 7070 |
| | G ½ male | 600 bar/6 mm | st. steel | 7071 |
| | Type | Connection 1 | Connection 2 | Material |
| Connection adapter male-male  | G ¼ male | G ¼ male | brass | 7128 |
| | G ¼ male | G ¼ male | steel | 7129 |
| | G ¼ male | G ¼ male | st. steel | 7130 |
| | G ½ male | G ½ male | brass | 7305 |
| | G ½ male | G ½ male | steel | 7304 |
| | G ½ male | G ½ male | st. steel | 7068 |
| | G ½ male | ½" NPT male | st. steel | 7163 |
| | ½" NPT male | ½" NPT male | st. steel | 7164 |
| Tube double nipple Ø 33,8 mm s = 2,8 mm | 2 x G 1 male | L = 60 mm | st. steel | 7138 |
| | 2 x G 1 male | L = 80 mm | st. steel | 7139 |
| Tube welded nipple s = 2,4 mm L = 60 mm | G ¾ male | Ø 26,9 mm | st. steel | 7136 |
| Tube welded nipple s = 2,8 mm L = 60 mm | G 1 male | Ø 33,8 mm | st. steel | 7137 |

Adaptors for syphons

| | | | | |
|---------|-------------|-----------|-----------|------|
| Male | G ½ male | Ø 14,7 mm | steel | 7122 |
| | G ½ male | Ø 14,7 mm | st. steel | 7124 |
| Male LH | G ½ male LH | Ø 14,7 mm | steel | 7121 |
| | G ½ male LH | Ø 14,7 mm | st. steel | 7123 |

Instrument holder Model: MZB-709/...

| Type | Length | Material | Code |
|--|--------|-----------|------|
| DIN 16286  | 60 mm | aluminium | 7034 |
| | 100 mm | aluminium | 7035 |
| | 160 mm | aluminium | 7071 |
| | 60 mm | st. steel | 7132 |
| | 100 mm | st. steel | 7133 |
| | 160 mm | st. steel | 7134 |

Valve adaptor R DIN 16281 Model: MZB-708/...

| Type | Connection | Material | Code |
|------|-------------------|-----------|------|
| | G 1/2 female/male | brass | 7036 |
| | G 1/2 female/male | steel | 7037 |
| | G 1/2 female/male | st. steel | 7038 |

Throttle, adjustable Model: MZB-706/...

| Type | Connection | PN [bar] | Material | Code |
|------|-------------------|----------|-----------|------|
| | G 1/4 female/male | 250 | brass | 7072 |
| | G 1/2 female/male | 250 | brass | 7025 |
| | G 1/2 female/male | 600 | steel | 7026 |
| | G 1/2 female/male | 600 | st. steel | 7027 |

Pressure impact damper DSD Model: MZB-706/...

| Type | Connection | Nom. pressure | Material | Code |
|------|-------------------|---------------|-----------|------|
| | G 1/4 female/male | 315 | brass | 7001 |
| | G 1/4 female/male | 1000 | st. steel | 7002 |
| | G 1/2 female/male | 250 | brass | 7003 |
| | G 1/2 female/male | 1000 | st. steel | 7004 |

Capillary throttle for damping Model: MZB-706/...

| Type | Connection | Length | Material | Code |
|-------------------------------------|-------------------|--------|----------|------|
| Capillary soldered into adaptor | G 1/2 female/male | 0.25 m | Ms/Cu | 7079 |
| | G 1/2 female/male | 0.50 m | Ms/Cu | 7080 |
| | G 1/2 female/male | 0.75 m | Ms/Cu | 7165 |
| | G 1/2 female/male | 0.25 m | Ms/Cu | 7064 |
| | G 1/2 female/male | 0.50 m | Ms/Cu | 7065 |
| | G 1/2 female/male | 0.75 m | Ms/Cu | 7066 |
| | G 1/2 female/male | 1.00 m | Ms/Cu | 7067 |
| Filter | - | - | Cu-Leg. | 7097 |

Protection cap Model: MZB-707/...

| Type | | | NG | Code |
|------|---|---|-----|------|
| | - | - | 63 | 7148 |
| | - | - | 100 | 7149 |

Seals Model: MZB-713/...

| Type | for thread | Material | Code |
|----------------------------|------------|----------|------|
| Flat seal DIN 16258 | G 1/4 | Cu | 7061 |
| | G 1/4 | IT | 7043 |
| | G 1/4 | PTFE | 7042 |
| | G 1/2 | Cu | 7040 |
| | G 1/2 | IT | 7041 |
| | G 1/2 | PTFE | 7039 |
| Pressure gauge seal | G 1/4 | Cu | 7098 |
| | G 1/2 | Cu | 7062 |

**Overpressure protection equipment (adjustable)
Model: MZB-714/...**

| Type | Range of adjustment in bar | Valve body brass, piston st. steel 1.4301 Code | Valve body st. steel, piston st. steel 1.4301 Code |
|------|----------------------------|--|--|
| | 0.4 - 2.5 | 7115 | 7121 |
| | 2 - 6 | 7116 | 7122 |
| | 5 - 25 | 7117 | 7123 |
| | 20 - 60 | 7118 | 7124 |
| | 50 - 250 | 7119 | 7125 |
| | 240 - 400 | 7120 | 7126 |

Accessories/repair Model: MZB-725/...

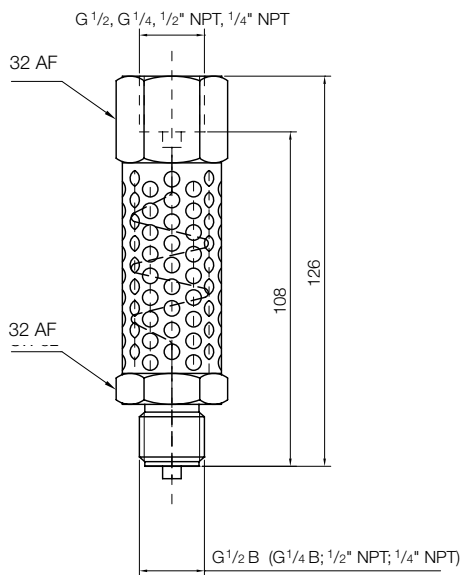
| Description | Version | Code |
|---|---------------|------|
| Contact key for adjustment | PA 6 | KVS1 |
| Replacement glass for st. steel housing NG 100 mm | Mineral glass | 0100 |
| Replacement glass for st. steel housing NG 160 mm | Mineral glass | 0160 |
| 100 mm glass with contact pivot | PC | K100 |
| 160 mm glass with contact pivot | PC | K160 |
| Glycerine | 1 l bottle | 0G10 |
| Paraffin oil | 1 l bottle | 0P10 |
| Silicone oil | 1 l bottle | 0S10 |

**Power supply for the top hat rail mounting
Model: MZB-NSF 030**

| | |
|-----------------|--|
| Input: | 230 V _{AC} |
| Output: | 24 V _{DC} / 500 mA, short-circuit-proof |
| Screw terminals | |

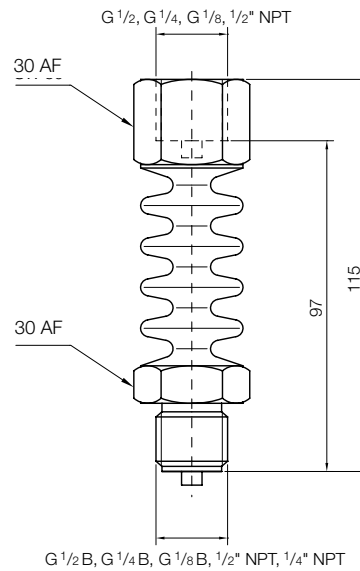
Multipart Design

- Very good cooling effect
- Perforated sheet body transmits little heat
- $t_{max} = 450^{\circ}\text{C}$
- PN 600 (temperature-dependent)
- All parts are made of 1.4571 stainless steel
- Pressure transmission with a capillary line (inner \varnothing 1.0 mm), that in addition balances out the pulsation of the measured pressure
- Also for direct mounting of diaphragm seals ($t_{max} = 350^{\circ}\text{C}$)

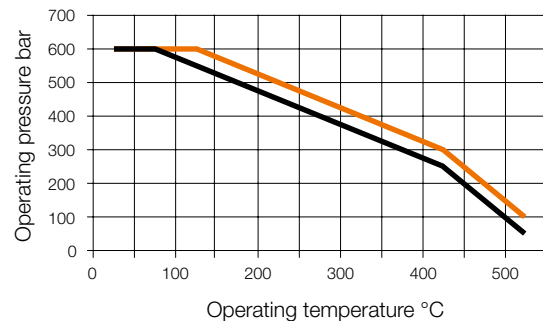
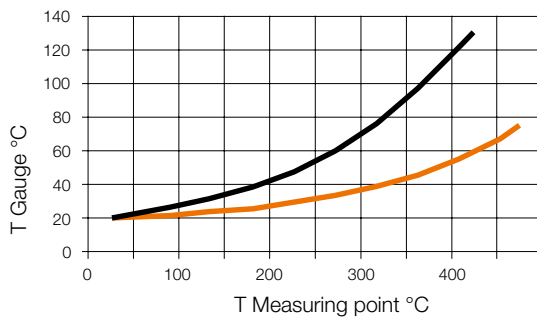


One-part Design

- Good cooling effect
- Optimum ration of surface to geometry
- $t_{max} = 300^{\circ}\text{C}$
- PN 600 (temperature-dependent)
- Body made of 1.4571 stainless steel
- Pressure transmission with tube diameter (inner \varnothing 3.5 mm), thus no change in reaction time
- Cheaper version
- For use with high viscosity media



Temperature drift (guide value for cooling effect) and range of use (rated pressure)



- MZB-711.7213 to MZB-711.7224 = multipart design
- MZB-711.7225 to MZB-711.7237 = one-part design



Order Details

one-piece version

| Model | Connection measuring device | Process connection |
|--------------|-----------------------------|--------------------|
| MZB-711.7225 | G ½ female | G ½ male |
| MZB-711.7226 | ½" NPT female | ½" NPT male |
| MZB-711.7227 | G ½ female | G ¼ male |
| MZB-711.7228 | G ½ female | ¼" NPT male |
| MZB-711.7229 | G ½ female | ½" NPT male |
| MZB-711.7230 | G ¼ female | G ¼ male |
| MZB-711.7231 | G ¼ female | G ½ male |
| MZB-711.7232 | G ¼ female | ¼" NPT male |
| MZB-711.7233 | G ¼ female | ½" NPT male |
| MZB-711.7234 | ½" NPT female | G ¼ male |
| MZB-711.7235 | ½" NPT female | G ½ male |
| MZB-711.7236 | ½" NPT female | ¼" NPT male |
| MZB-711.7237 | G ⅝ female | G ⅝ male |
| MZB-712.7238 | ½" NPT male | ½" NPT male |

multipart version

| Model | Connection measuring device | Process connection |
|--------------|-----------------------------|--------------------|
| MZB-711.7213 | ¼" NPT female | G ¼ male |
| MZB-711.7214 | ¼" NPT female | G ½ male |
| MZB-711.7215 | ¼" NPT female | ¼" NPT male |
| MZB-711.7216 | ¼" NPT female | ½" NPT male |
| MZB-711.7217 | G ¼ female | G ¼ male |
| MZB-711.7218 | G ¼ female | G ½ male |
| MZB-711.7219 | G ¼ female | ¼" NPT male |
| MZB-711.7220 | G ¼ female | ½" NPT male |
| MZB-711.7221 | G ½ female | G ¼ male |
| MZB-711.7222 | G ½ female | G ½ male |
| MZB-711.7223 | G ½ female | ¼" NPT male |
| MZB-711.7224 | G ½ female | ½" NPT male |
| MZB-712.7212 | ½" NPT male | ½" NPT male |

Other connections upon request.

Capillary MZB-72 for pressure gauges

- Material connection thread: stainless steel 1.4571
- Connections: female or male thread (permanent welded or with a sealing collar)
- Material capillary: stainless steel 1.4571
- Inner diameter of capillary: 1.0 mm (throttling effect with pulsating pressure)
- Outer diameter of capillary: 3.0 mm
- Bending radius of capillary: > R25
- 1-piece design: Permanently welded connecting pieces or, in the case of union nuts, welded to the sealing collar
- 2-piece design: The additional screw connection in middle of capillary (1 x G ½ male fixed + 1 x G ½ female union nut) enables torsion-free installation
- Max. pressure: 600 bar
- Temperature of medium: -40 ... +350 °C

Order Details (Example: **MZB-721 1 A 1 B 10**) corresponds to 1-piece capillary with fixed G ¼ male and rotatable G ½ female

| Model | Connection 1 | Thread Type and Design ¹⁾ | Connection 2 | Thread Type and Design ¹⁾ | Capillary length |
|-------------------------------------|--------------|--|--------------|--|------------------|
| MZB-721... 1-piece design | 1 = G ¼ | A = female fixed B ¹⁾ = female rotatable C = male fixed D ¹⁾ = male rotatable | 1 = G ¼ | A = female fixed B ¹⁾ = female rotatable C = male fixed D ¹⁾ = male rotatable | 10 = 1 m |
| | 2 = G ½ | | 2 = G ½ | | 16 = 1.6 m |
| | 3 = G ¾ | | 3 = G ¾ | | 20 = 2.0 m |
| | 4 = G 1 | | 4 = G 1 | | 25 = 2.5 m |
| MZB-722... 2-piece design | 5 = ¼" NPT | | 5 = ¼" NPT | | 30 = 3.0 m |
| | 6 = ½" NPT | | 6 = ½" NPT | | 40 = 4.0 m |
| | 7 = ¾" NPT | | 7 = ¾" NPT | | 50 = 5.0 m |
| | 8 = 1" NPT | | 8 = 1" NPT | | 60 = 6.0 m |
| | | | | | 70 = 7.0 m |
| | | | | 80 = 8.0 m | |
| | | | | | 90 = 9.0 m |
| | | | | | 1H = 10 m |

¹⁾ NPT thread permanent welded only